

NATURE'S HEAD®

Self-Contained Composting Toilet

The development of NATURE'S HEAD® refined the concept of the composting toilet, producing a user-friendly, more economical and aesthetically improved toilet. The toilet's unique molded design incorporates stainless steel components and hardware into a high-quality, durable product.

Alternative to basement bathroom ejector pump systems



SAVE OUR WATER FOR TOMORROW®



NATURE'S HEAD, Inc.
251-295-3043
www.NaturesHead.net
P.O. Box 250
Van Buren, OH 45889

NATURE'S HEAD® requires no pumpouts or holding tank. There is no clogging or odor associated with its use.

The waterless, urine-separating design contributes to the extraordinary holding capacity of the head. The composting section will hold approximately 60-80 uses. For part time usage by 2 to 3 people, this likely represents an entire summer of usage without emptying. Full time users can expect 3 to 4 weeks capacity. The urine bottle, containing about 2.2 gallons, will require more frequent emptying (approximately every 2 to 5 days).



\$925

Proudly manufactured in the USA with dealers worldwide, the NATURE'S HEAD® composting toilet is designed to provide an economical environmentally-safe method of dealing with human waste.

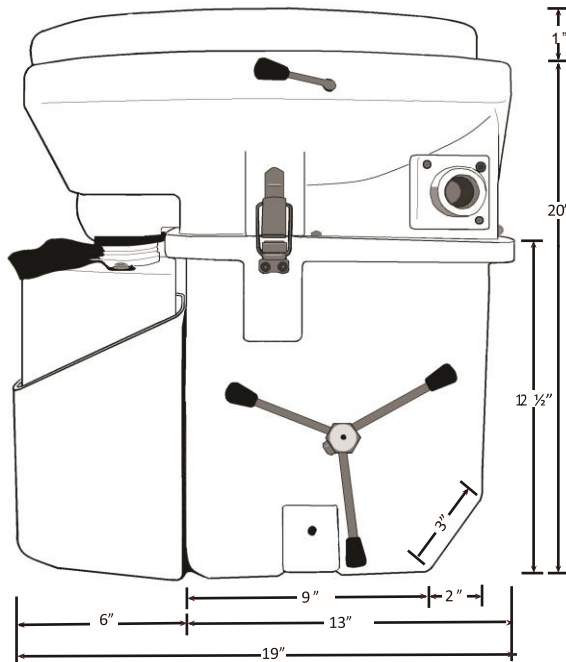
Alternative to basement bathroom ejector pump systems

WHAT'S IN THE BOX

- Toilet - white granite
- Inside vent flange
- Agitator handle (standard or spider handle)
- Allen wrench to install spider handle
- 2 mounting brackets with knobs and screws
- 6-foot single pin cable for 12 volt fan hookup (fan is mounted onto toilet at time of assembly)
- Fuse and fuse holder for the 12 volt application
- Liquids cap
- 5 feet of 1 1/2" hose
- Spray Bottle

OPTIONAL EQUIPMENT

| | PRICE* |
|---|--------|
| Extra base with lid, agitator and handle | \$265 |
| 110 power transformer | 15 |
| Extra hose, (cost per foot) | 4 |
| Extra urine container | 40 |
| Stainless steel mushroom vent | 65 |
| Solar vent | 175 |
| Solids bin lid | 20 |
| PVC Screened Vent Assembly for Structures | 24 |



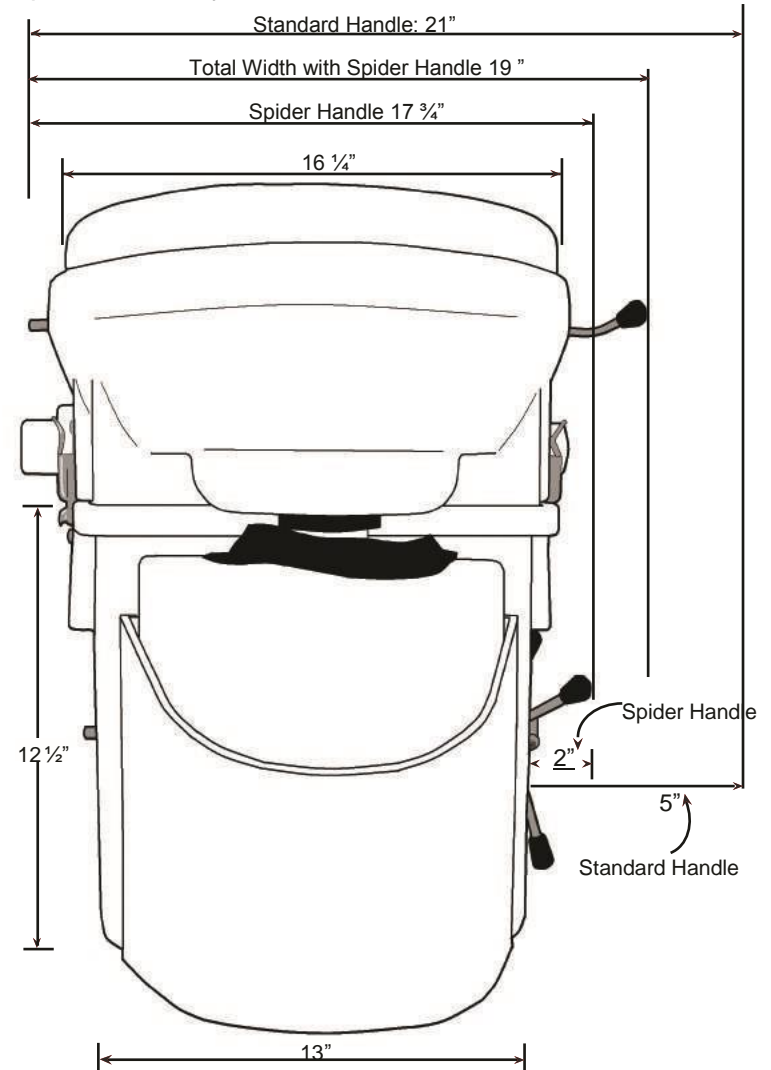
*Prices subject to change without notice.

LOCATION AND INSTALLATION

Prime consideration when locating the head is adequate room for opening the lid and lifting the bowl rearward for servicing of both the solid and liquid chambers.

The unit is secured to the floor using two L-brackets and 4 countersunk screws. The head may be secured to a 3/4" plywood base in order to avoid drilling of unwieldy materials.

Take care to vent the toilet and power the circulating fan. All components for accomplishing this, except the external vent, are provided with your toilet.



Eco friendly solution for sanitation

This self-contained, aesthetically pleasing toilet is the perfect fit for installation in any number of places.



Tiny Homes



RVs and Campers



Homes and Cabins



Vessels

Yurts, Bunkers, Workshops, Studios, Barns,
Basements, Garages, Boat Houses, Studios

USAGE AND EMPTYING

Prepare the toilet for use by placing 2 gallons pre-moistened sphagnum peat moss or coconut coir into the base. Sphagnum peat moss or coconut coir should be level with the agitator in a horizontal position. The sphagnum peat moss or coconut coir should be moist but never wet or soupy. While seated, liquid waste will be diverted to proper area.

Paper products may be placed in the compost bin. We do not recommend putting anything else in the compost (garbage, etc.)

Liquid wastes are emptied by releasing both side front latches, raising the bowl and removing the bottle for capping. Dispose of urine in an appropriate manner and rinse bottle to cleanse.

NATURE'S HEAD®

WHAT SETS US APART

- 5 year warranty. Exceptional Service.
- Tens of thousands of units sold
- Separation of liquid and solid wastes results in odor free operation and ease of disposal
- Full-size molded seat insures safety, comfort and easy cleansing
- In stock. Immediate shipping. Zero "Lead Time"
- Composting handle, vent hose, and fan may be mounted on either side of unit allowing ease of use and optimal space utilization
- Fully supported liquid tank provides extension beyond mounting pedestal

- Unit arrives ready for installation requiring only external vent and sphagnum peat moss
- Completely self-contained and portable
Gross Weight empty 28 pounds
- Ships UPS or USPS
- AFFORDABLE
- USCG Approved
- US Government Contractor

Nature's Head, Inc.
251-295-3043

More Information:
www.NaturesHead.net



Made in USA



- Alternative to basement bathroom ejector pump systems