



PUMP COMPANY

Zoeller Family of Water Solutions™

MAIL TO: P.O. BOX 16347 • Louisville, KY 40256-0347

SHIP TO: 3649 Cane Run Road • Louisville, KY
40211-1961 (502) 778-2731 • 1 (800) 928-PUMP •

FAX (502) 774-3624

FM0472

Product information presented here reflects conditions at time of publication. Consult factory regarding discrepancies or inconsistencies.

visit our web site:
www.zoeller.com

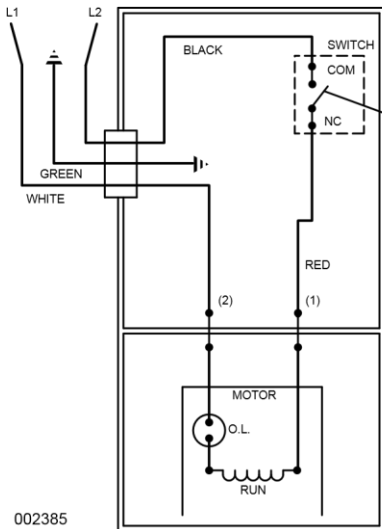
REPLACEMENT PARTS LIST FOR MODELS:

M53 AUTOMATIC 115V
D53 AUTOMATIC 230V
N53 NONAUTOMATIC 115V
E53 NONAUTOMATIC 230V

Consult factory for all other models.

TO ORDER REPLACEMENT PARTS:
PLEASE FURNISH THE FOLLOWING INFORMATION:

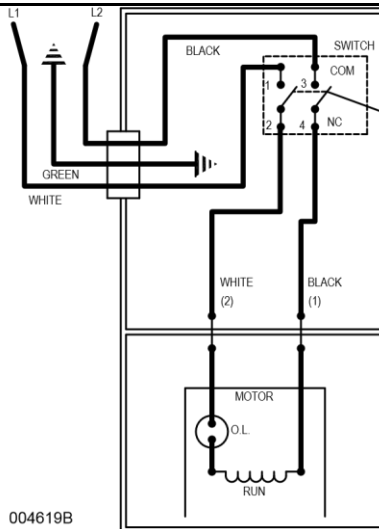
- Model number
- Part number of pump
(If manufactured prior to June 1988, give 2 letter data code following Model No.)
- Part number and description of part



WIRING DIAGRAM FOR
MODELS

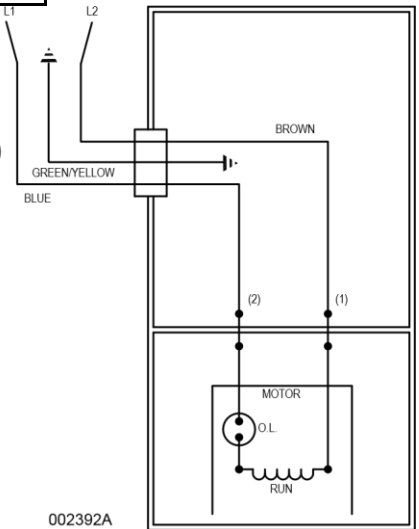
"M53-A" and "D53-A"
9/81 (VM) thru 8/86 (US)

WIRIN
G
DIAGR



AM FOR MODELS

"M53-B", "M53-C" and "M53-D"
"D53-B", "D53-C", and "D53-D"
9/86 (VS) thru Current



WIRING DIAGRAM FOR
MODELS

"N53-A", "N53-B" and "N53-C"
"E53-A", "E53-B", and "E53-C"

9/81 (VM) thru Current

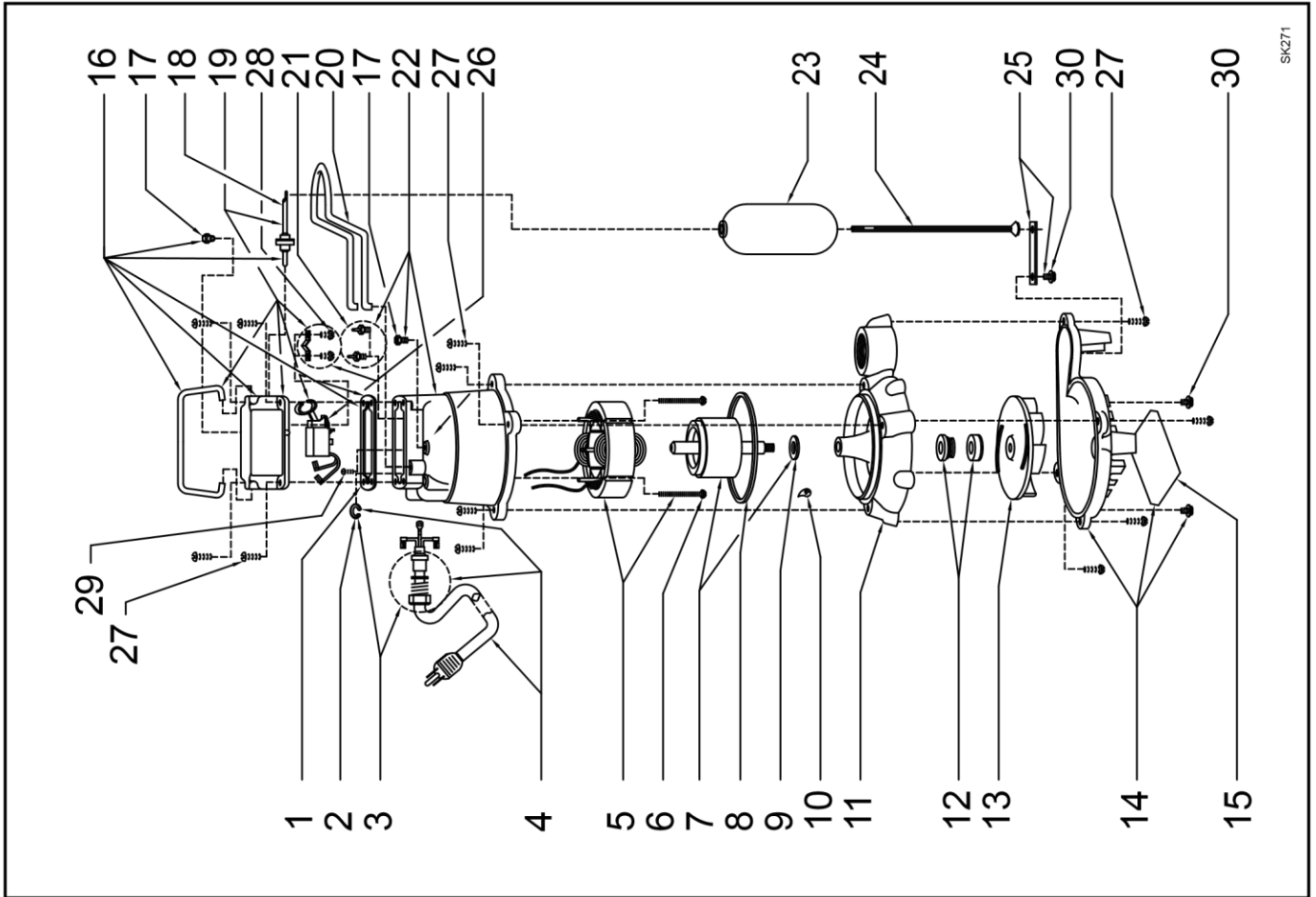
13	Impeller-Plas 53	1		003644	003644	003644	003644	003644	003644	003644	003644
14	Base Asm	1		002690	002690	002690	002690	002690	002690	002690	002690
15	Plate,Strainer-Plastic	1		001082	001082	N/A	N/A	001082	001082	N/A	N/A
16	Cover & Handle "50"	1		034067	034067	034067	034067	034067	034067	034067	034067
17	• Plug,Test-White	2		034090	034090	034090	034090	034090	034090	034090	034090
18	• Seal,Thru Wall Term	2		003402	003402	003402	003402	003402	003402	003402	003402
19	Housing,Mtr-& Term Asm "50"	1		003177	004712	004712	004712	003177	004712	004712	004712
20	• Screw,#10-24 X.75 RHM-SI SS	16		001885	001885	001885	001885	001885	001885	001885	001885
21	• Sem,10-12x.5HH-SIShmt Scr Tp A	3		003229	003229	N/A	N/A	003229	003229	N/A	N/A
22	• Screw,#6-32x.25RHM SI Tc Stlgr	1		001877	001877	001877	001877	001877	001877	001877	001877
☐	Rebuild Kit "53/1053/55"	1		003181	004706	004706	004706	003181	004706	004706	004706

• Not Not
 Items Shown sold
 included in separately.
 in Rebuild Kit. Illustration.
 ☐ §

NOTES:

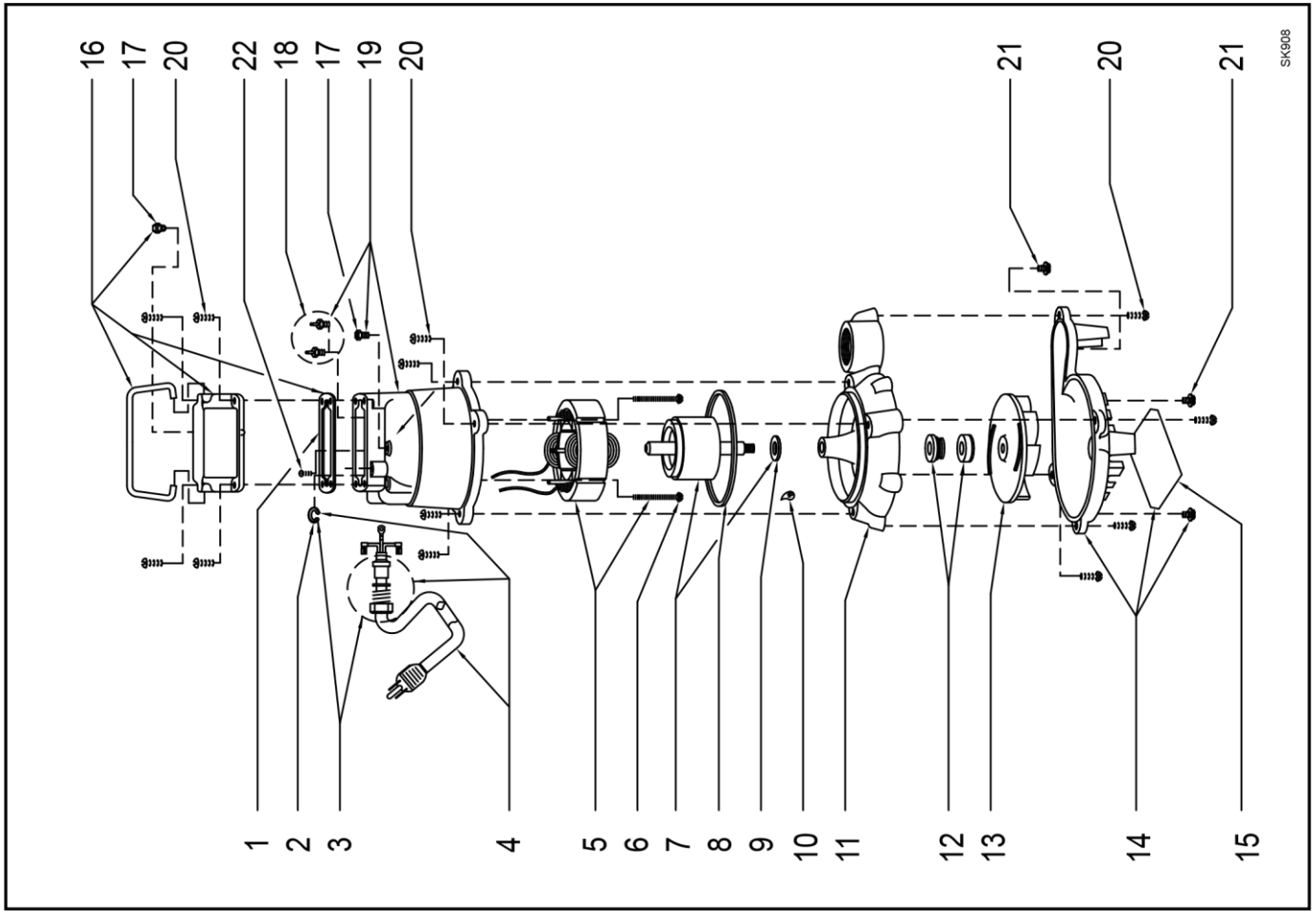
- 1) Strain Relief (Item 2) can be purchased separately, but is included with Cord, Terminal & Seal Assembly (Item 4) and with Seal, Cord Assembly (Item 3).
- 2) Emerson stators (identified by green epoxy insulation) are no longer available. A stator and rotor combination by Regal-Beloit who took over the GE line of motors must be purchased to replace the individual Emerson stator or rotor for date code 7/92 to current. Emerson motors replacement prior to 7/92 is no longer available. 230 volt stators for Emerson and Regal-Beloit are no longer available prior to 7/92.
- 3) When ordering these parts, customer must identify if switch is a General Electric switch.
- 4) See FM0160 Parts Price Sheet for listing of parts prices.
- 5) "NA" indicates, not applicable.
- 6) If an "X" follows Model No., or Date Mfg. on brass ID tag, consult factory for ordering any parts.

REPLACEMENT PARTS ILLUSTRATION FOR MODELS "M53" AND "D53"



SK271

REPLACEMENT PARTS ILLUSTRATION FOR MODELS "N53" AND "E53"



SK908